

# Jinan HonHai Glass Company Limited

# Contents

- About us
- Street lights
- HighBay lights
- Spot lights
- Projects
- Customer-made

# Glass Lens composition

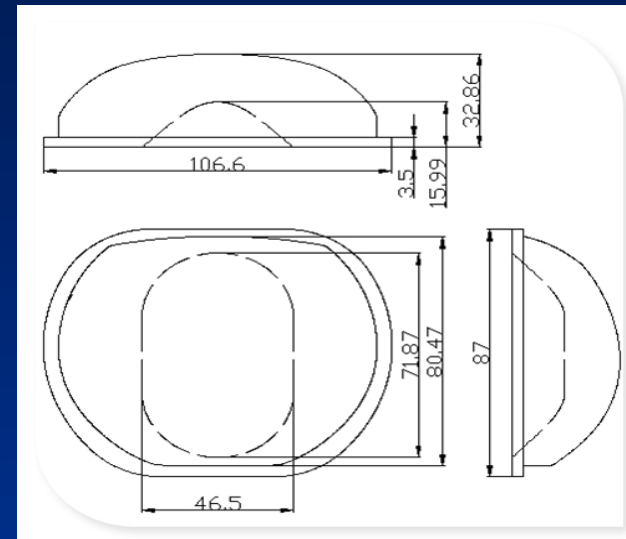
Composition	Unit	Value	Composition	Unit	Value
SiO <sub>2</sub>	%	80.23	MgO	%	0.0046
Fe <sub>2</sub> O <sub>3</sub>	%	0.014	K <sub>2</sub> O	%	0.053
Al <sub>2</sub> O <sub>3</sub>	%	2.25	Na <sub>2</sub> O	%	4.40
CaO	%	0.011	B <sub>2</sub> O <sub>3</sub>	%	12.82

# Experience requirements:

S/N	Item	Measurement of area	Test result
1	点缺陷 (异色点\气泡\凹坑\油渍) Point defect(bad points/bubbles)	$D \leq 0.20\text{mm}$ ( $S \leq 0.03\text{mm}^2$ ), and $\leq N1$	√
2	毛边\Burr	$H \leq 0.3\text{mm}$	√
3	细划痕 Tiny scratches	$L \leq 3\text{mm}$ , $W \leq 0.1\text{mm}$ , $N \leq 1$ ( $S \leq 0.3\text{mm}^2$ )	√
4	硬划痕\碰伤 Hard scratches\crack	不允许 Not allowed	√
5	手印 Fingerprint	不允许 (以反光能检查到为条件) Not allowed (Take the checking after the reflecting light condition)	√
6	变形 Changing shape	不允许 Not allowed	√
7	顶白\顶凸 Surface projection\Surface hoar	不允许 Not allowed	√
8	填充不足 Insufficient filling	不允许 Not allowed	√
9	缩水 Shrink	不允许 Not allowed	√
10	流纹 Rhyolite	不允许 Not allowed	√
11	银条 sliver streak	不允许 Not allowed	√

# Products

## ➤ Street lights



Item No.: GT-110NA

Beam angle:75\*135Deg.

Material: Borosilicate

# Products

## ➤ Street lights



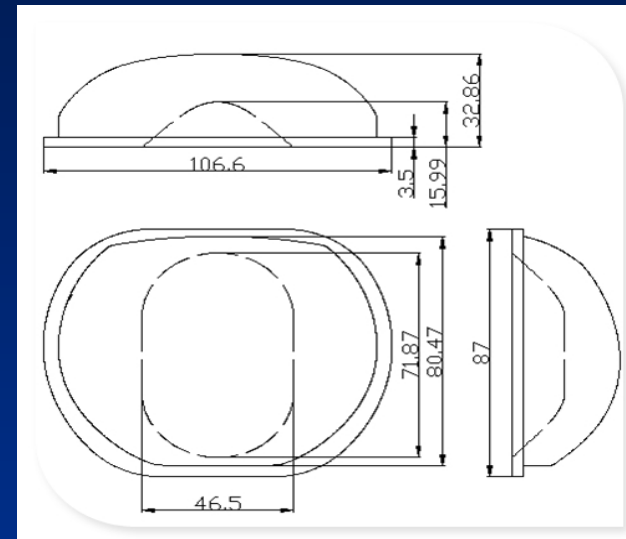
( for stainless steel holder+sealing ring ) ;



( for Aluminum holder+sealing ring ) ;

# Products

## ➤ Street lights (New Product)



Item No.: GT-110-27NA

Beam angle:75\*135Deg.

Non-glare Lens

Material: Borosilicate

# Products

## ➤ Street lights

(110series stainless steel holder+sealing ring) ;



(for Aluminum holder+sealing ring) ;

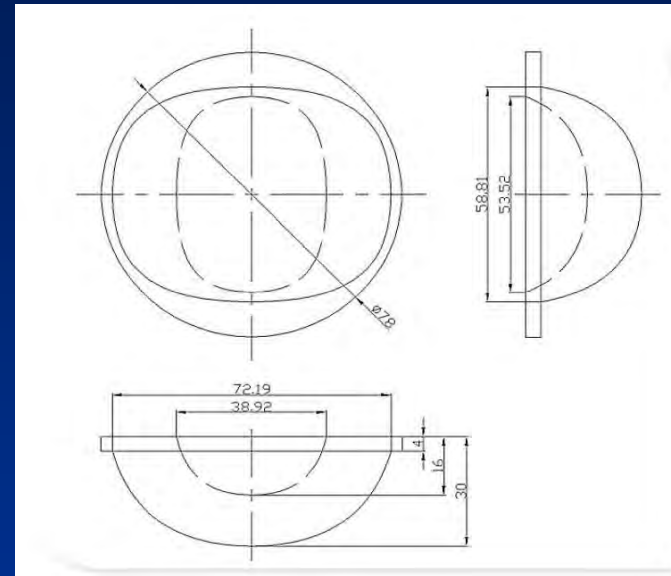


# Products

## ➤ Street lights



Item No.: GT-78-17NA

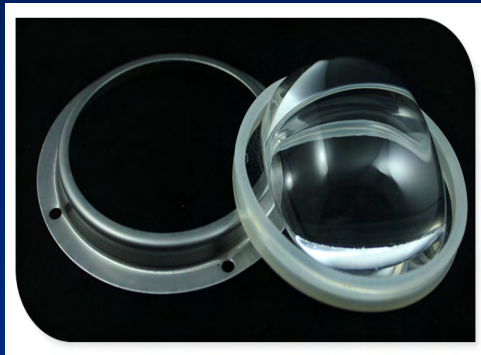


Beam Angle: 80\*125Deg.

Material: Borosilicate

# Products

## ➤ Street lights



(for stainless steel holder+sealing ring) ;



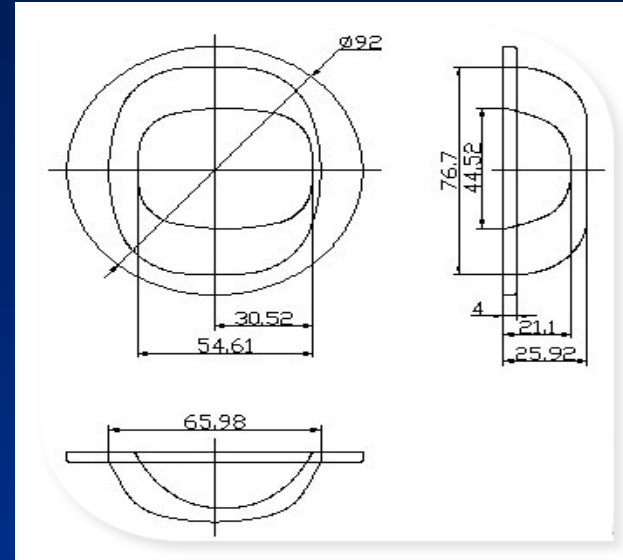
(for Aluminum holder+sealing ring) ;

# Products

## ➤ Street lights



Item No.: GT-92NA



Beam angle:80\*140 Deg.

Material: Borosilicate

# Products

## ➤ Street lights



( for stainless steel holder+sealing ring ) ;



( for Aluminum holder+sealing ring ) ;

# Products

## ➤ Street lights(New Product)



Same dimension with GT-92NA

Item No.: GT-92-2-6NA

Beam angle:70\*120 Deg.

Material: Borosilicate

# Products

## ➤ Street lights



( for Aluminum holder+sealing ring ) ;

( stainless steel holder+sealing ring:same with GT-92NA ) ;

# Products

## ➤ Street lights(New Product)



Diameter:92.3mm  
Height:31mm  
Step height:4.5mm  
Concave diameter:56mm

Item No.: GT-92-13NA

Beam angle:Polarization effect

Material: Borosilicate

# Products

## ➤ Street lights

same as the holder for GT-92-2NA

(for stainless steel holder+sealing ring) ;



(for Aluminum holder+sealing ring) ;



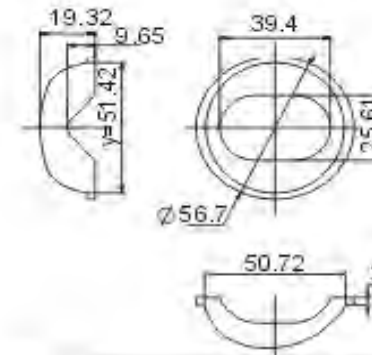
# Products

## ➤ Street lights



Item No.: GT-57NA

型号/Model : 57内凹/ GT-phis.  
材质/Material : 光学玻璃/optic gla.  
透光率/light transmittance : 94%



Beam angle:60\*120 Deg.

Material: Borosilicate

# Products

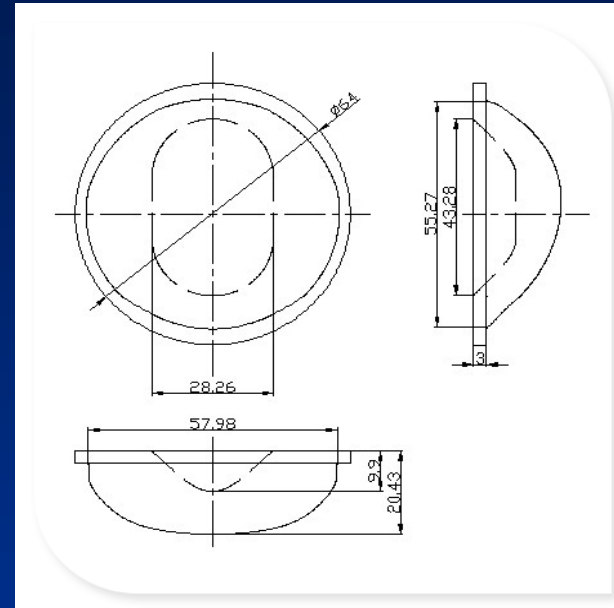
## ➤ Street lights



(for Stainless Steel holder+sealing ring) ;

# Products

## ➤ Street lights



Item No.: GT-64NA

Beam angle:60\*120 Deg.

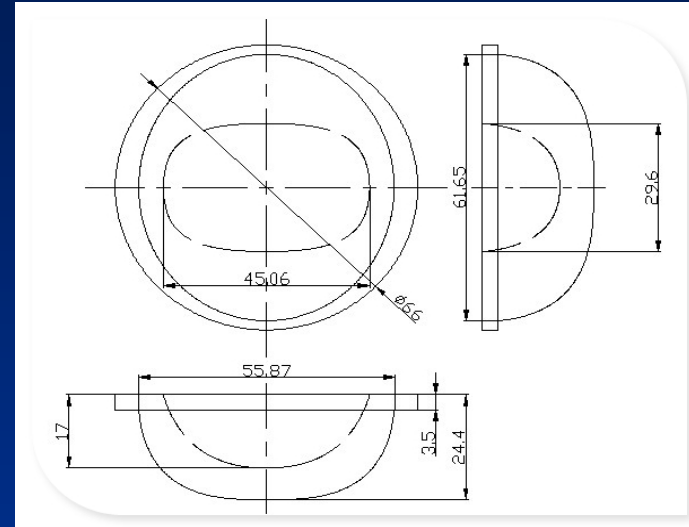
Material: Borosilicate

# Products

## ➤ Street lights



Item No.: GT-66-7NA



Beam angle:85\*130 Deg.

Material: Borosilicate

# Products

## ➤ Street lights



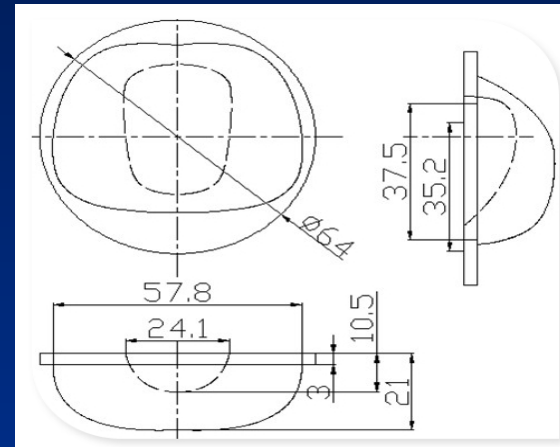
(for stainless steel holder+sealing ring) ;



(for Aluminum holder+sealing ring) ;

# Products

## ➤ Street lights



Item No.: GT-64-5NA

Beam angle:70\*130 Deg.

Material: Borosilicate

# Products

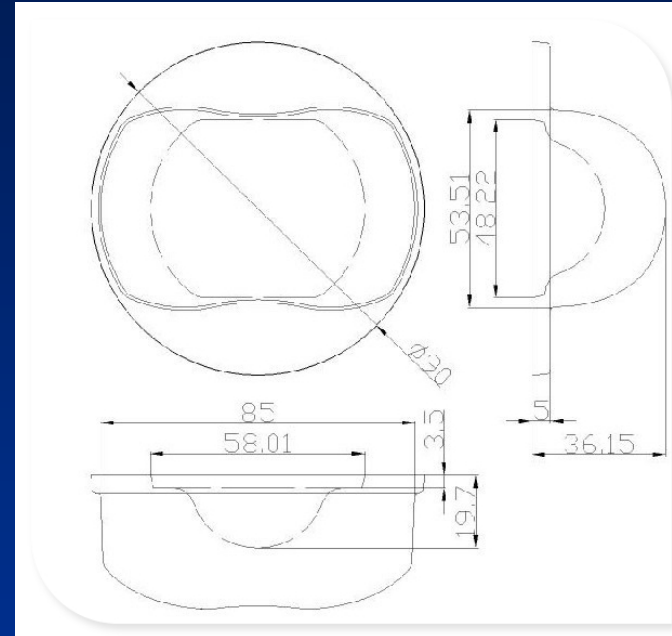
## ➤ Street lights



(for Aluminum holder+sealing ring) ;

# Products

## ➤ Street lights



Item No.: GT-90-3-2NA

Beam angle:60\*130 Deg.

Material:Borosilicate



# Products

## ➤ Street lights



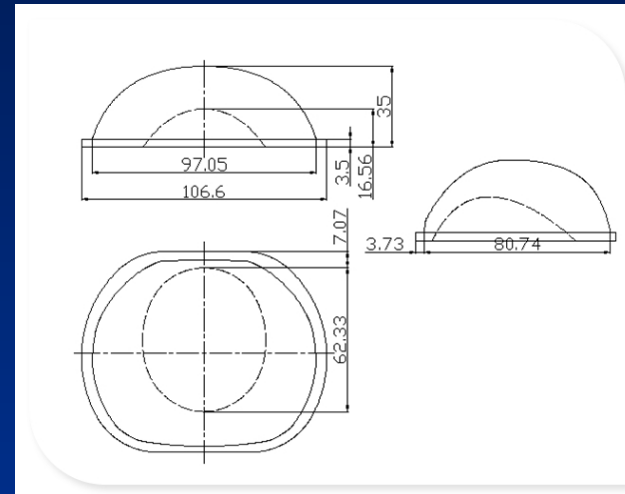
(for stainless steel holder+sealing ring) ;

# Products

## ➤ Street lights



Item No.: GT-107-7NA



Polarization effect espesically for tunnel light

Material: Borosilicate

# Products

## ➤ Street lights



(for stainless steel holder+sealing ring) ;



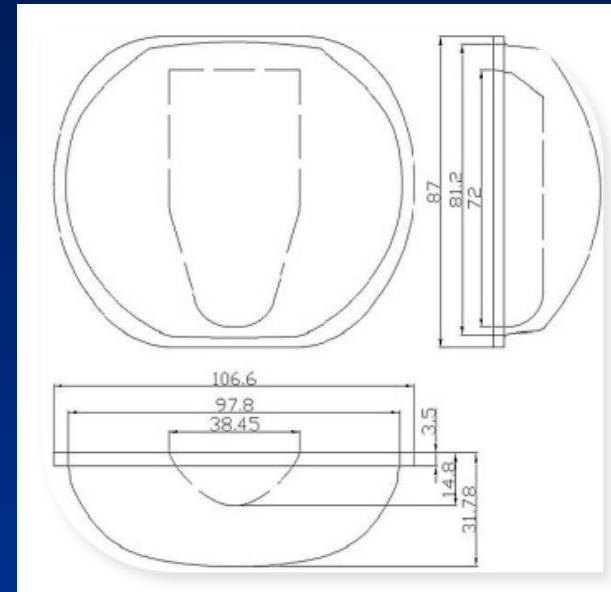
(for Aluminum holder+sealing ring) ; same holder with GT-110NA

# Products

## ➤ Street lights



Item No.: GT-107-2NA



Polarization effect espesically for tunnel light

Material: Borosilicate

# Products

## ➤ Street lights



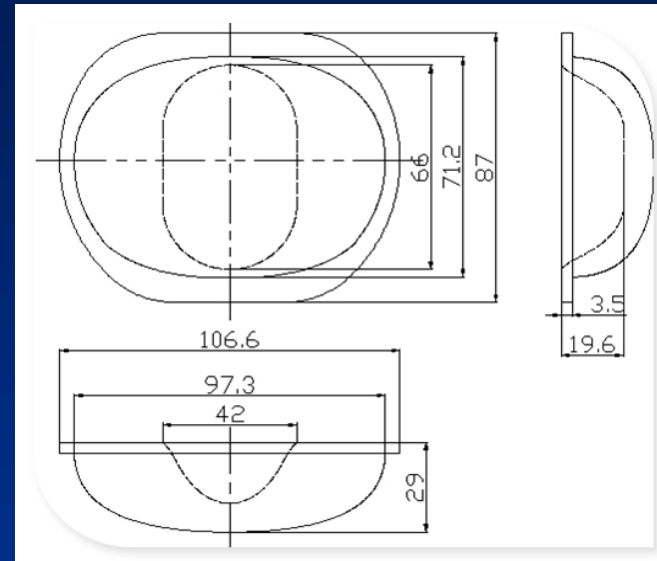
(for stainless steel holder+sealing ring) ;



(for Aluminum holder+sealing ring) ; same holder with GT-110NA

# Products

## ➤ Street lights



Item No.: GT-107-11NA

Beam angle:120\*160 Deg.

Material: Borosilicate

# Products

## ➤ Street lights



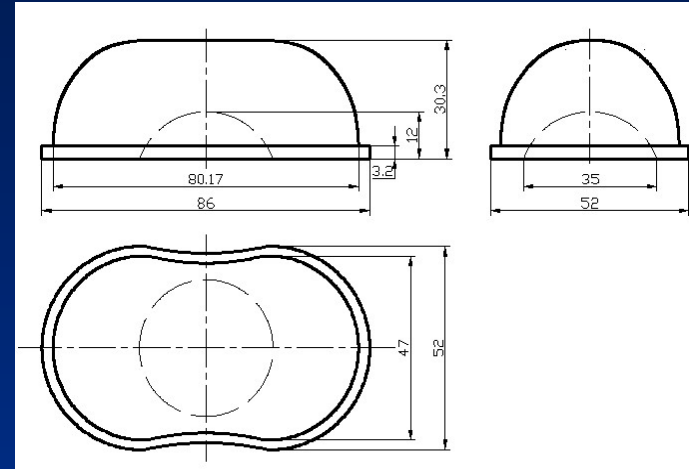
(for stainless steel holder+sealing ring) ;



(for Aluminum holder+sealing ring) ; same holder with GT-110NA

# Products Price

## ➤ Street lights



Item No.: GT-84NA

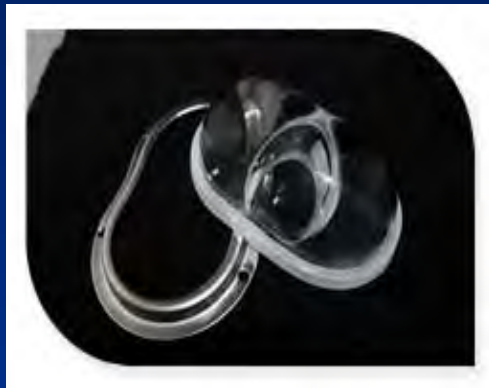
Beam angle:50\*110 Deg.

Material: Borosilicate



# Products

## ➤ Street lights



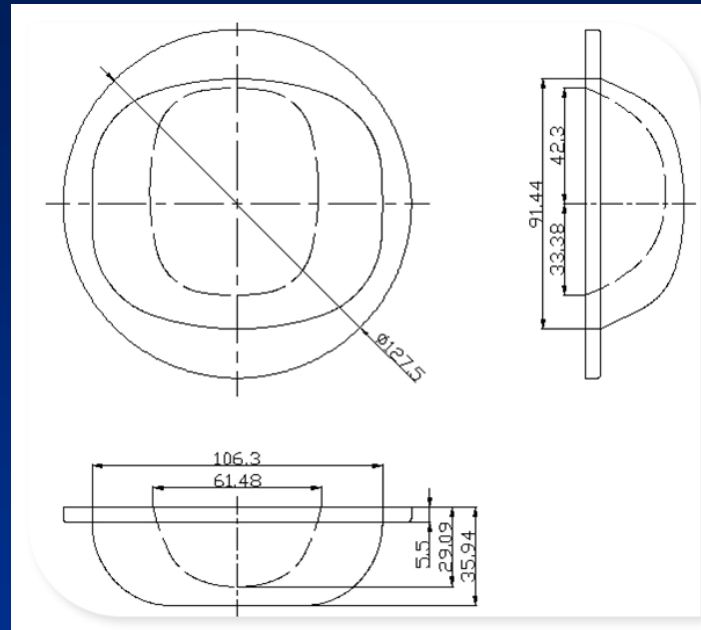
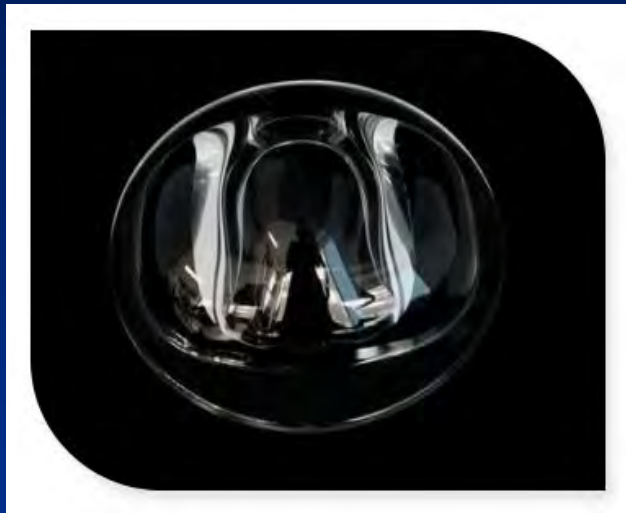
(for stainless steel holder+sealing ring) ;



(for Aluminum holder+sealing ring) ;

# Products

## ➤ Street lights



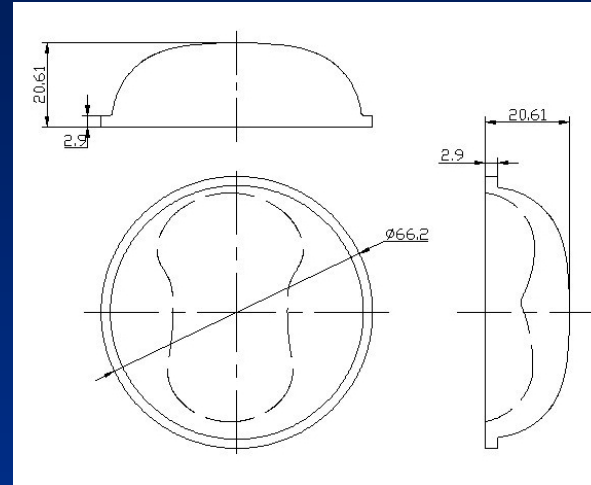
Item No.: GT-129NA

Beam angle:60\*130 Deg.

Material: Borosilicate

# Products

## ➤ Street lights



Item No.: GT-66-2NA

Beam angle:60\*120 Deg.

Material: Borosilicate

# Products

## ➤ Street lights



(for stainless steel holder+sealing ring) ;



(for Aluminum holder+sealing ring) ;

# Products

## ➤ Street lights



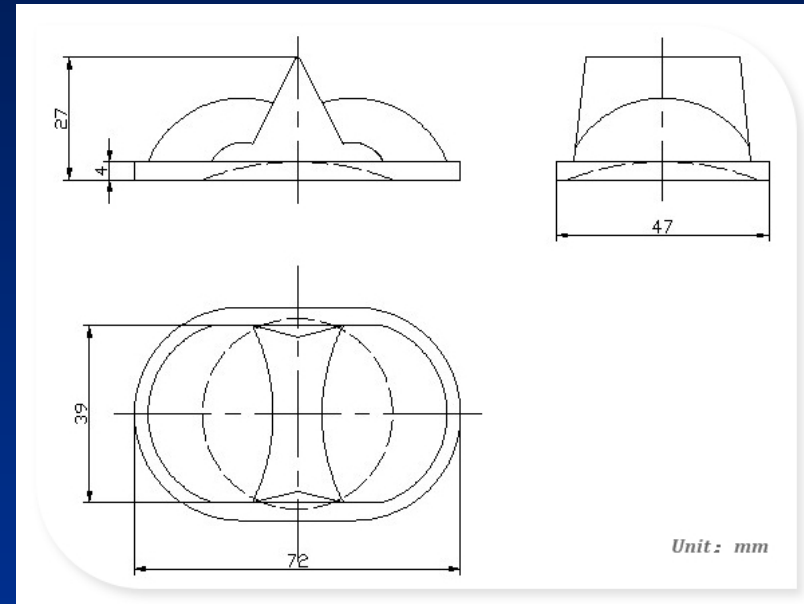
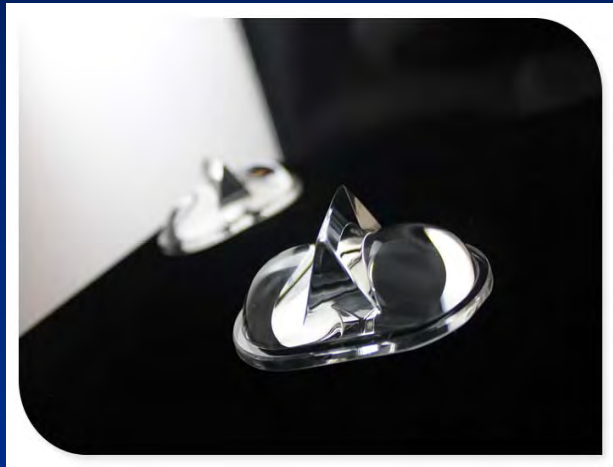
Item No.: GT-65-3NA

Beam angle:60\*120 Deg.

Material:Borosilicate

# Products

## ➤ Street lights



Item No.: GT-SL05

Beam angle:60\*120 Deg.

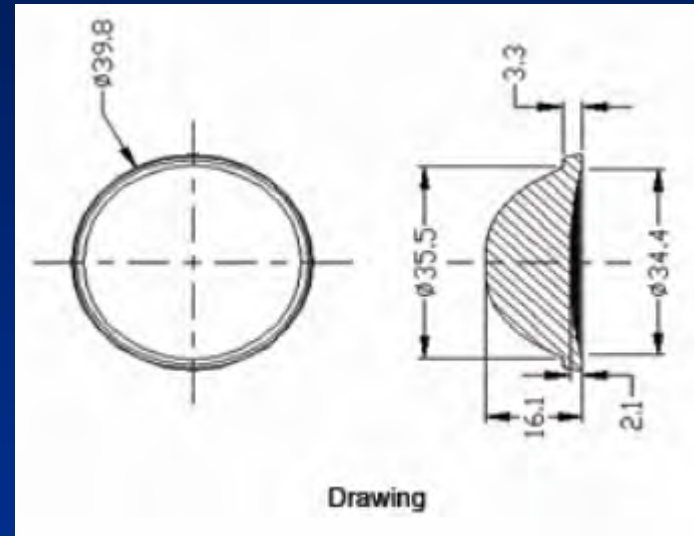
Material: Borosilicate

# Products

## ➤ Spot lights



Item No.: GT-40-12NA

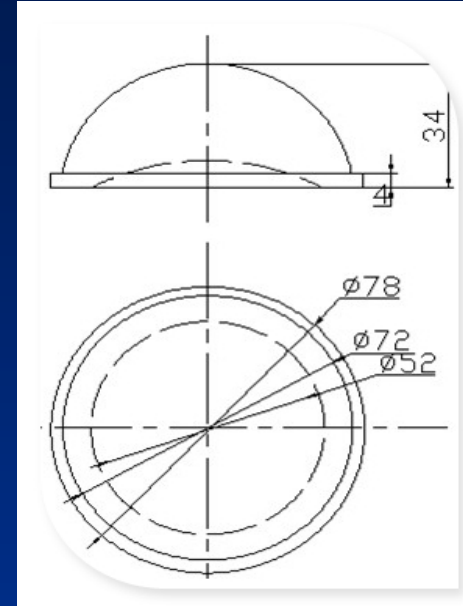


Beam angle:80 Deg.

Material: Borosilicate

# Products

## ➤ Highbay lights



Item No.: GT-78-4NA

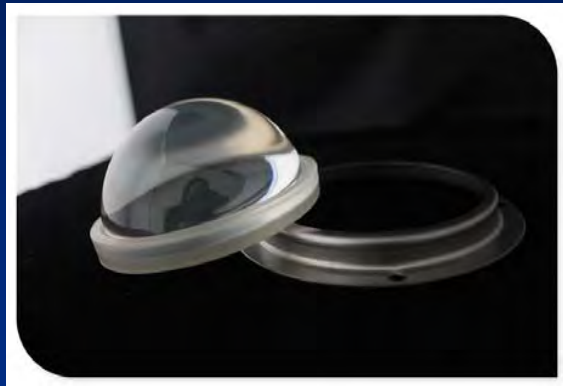
Beam angle:90 Deg.

Material: Borosilicate



# Products

## ➤ Highbay lights



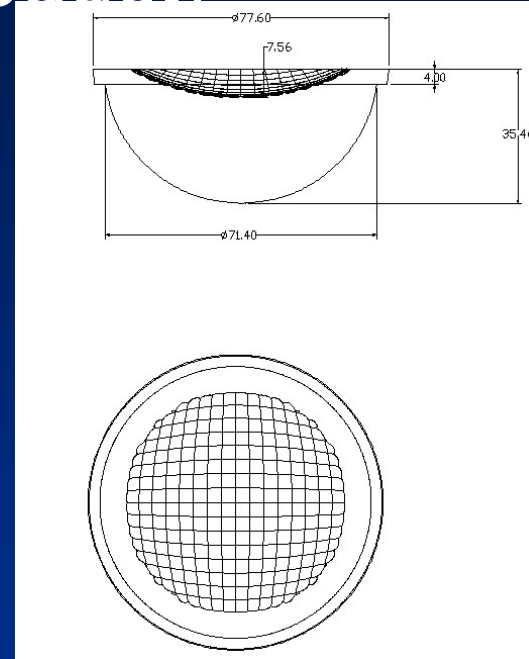
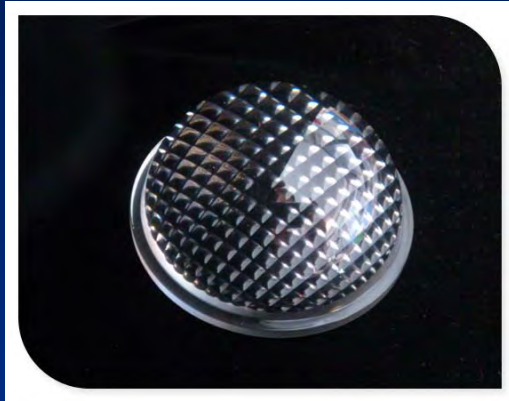
(for stainless steel holder+sealing ring) ;



(for Aluminum holder+sealing ring) ;

# Products

## ➤ Highbay lights(New Product)



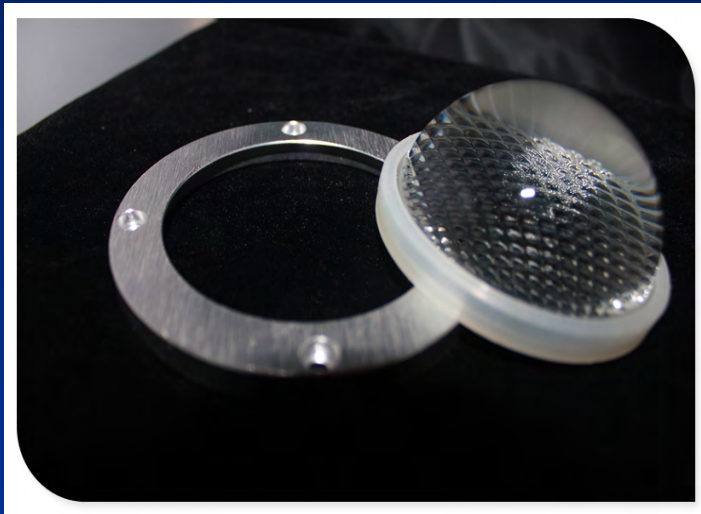
Item No.: GT-78-3NA

Beam angle:90 Deg.

Material: Borosilicate

# Products

## ➤ Highbay lights



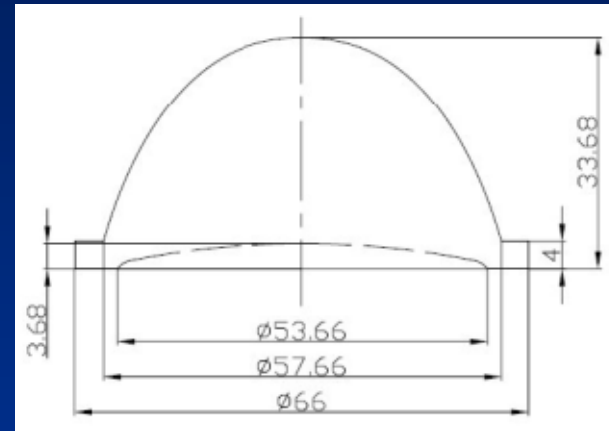
(for Aluminum holder+sealing ring) ;

# Products

## ➤ Highbay lights



Item No.: GT-66-6NA



Beam angle:60 Deg.

Material: Borosilicate

# Products

## ➤ Highbay lights



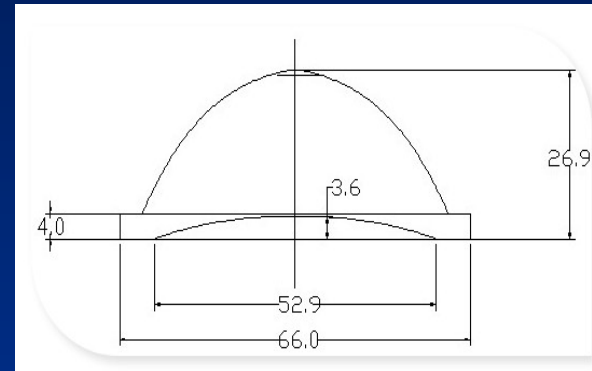
(for stainless steel holder+sealing ring) ;



(for Aluminum holder+sealing ring) ;

# Products

## ➤ Highbay lights



Item No.: GT-66-8NA

Beam angle:90 Deg.

Material: Borosilicate

# Products

## ➤ Highbay lights



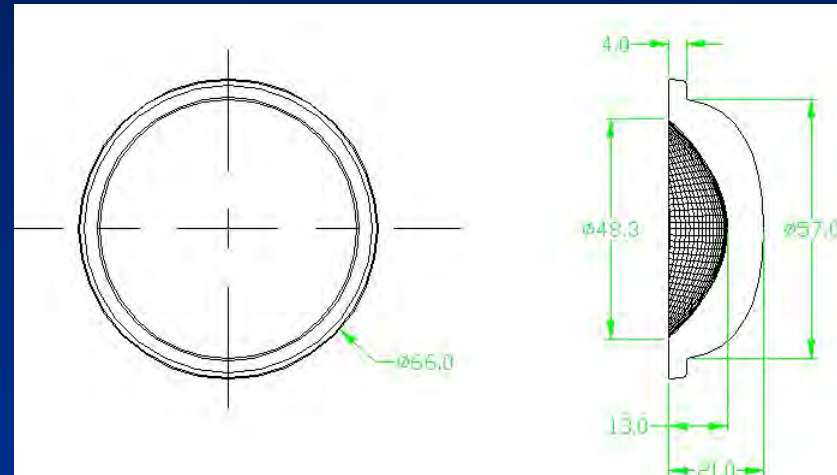
(for stainless steel holder+sealing ring) ;



(for Aluminum holder+sealing ring) ;

# Products

## ➤ Highbay lights(New Product)



Beam angle:120 Deg.

Item No.: GT-66-11NA

Material: Borosilicate



# Products

## ➤ Highbay lights(New Product)



(for Aluminum holder+sealing ring) ;

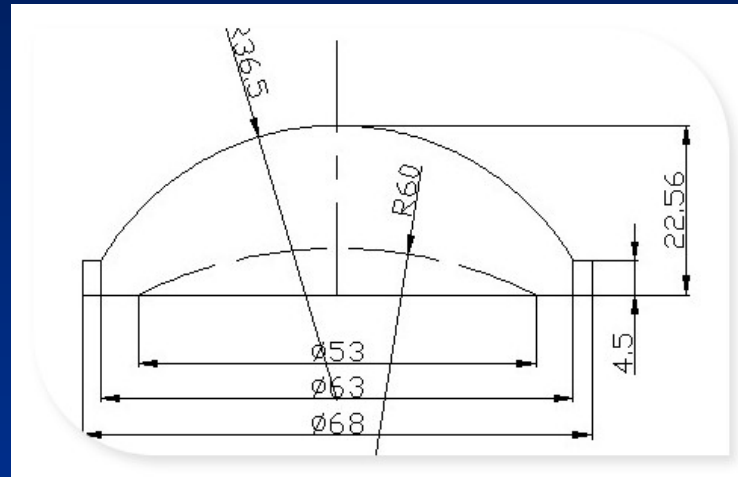
(Stainless steel holder+sealing ring:same with 66 series) ;

# Products

## ➤ Highbay lights



Item No.: GT-68-3NA



Beam angle:110 Deg.

Material: Borosilicate

# Products

## ➤ Highbay lights



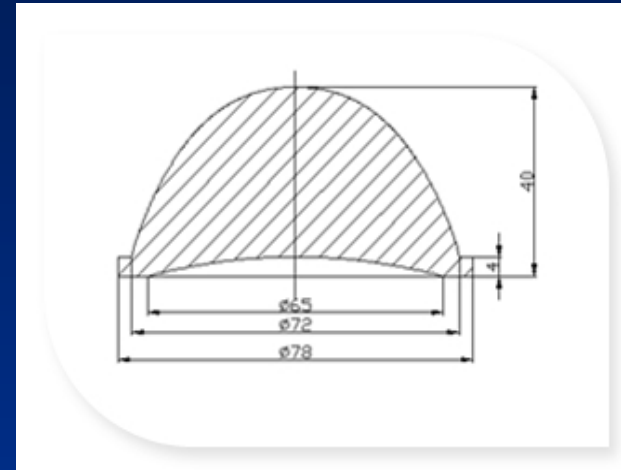
(for Aluminum holder+sealing ring) ;

# Products

## ➤ Highbay lights



Item No.: GT-78-24NA



Beam angle: 60 Deg.

Material: Borosilicate

# Products

## ➤ Highbay lights



(for stainless steel holder+sealing ring) ;



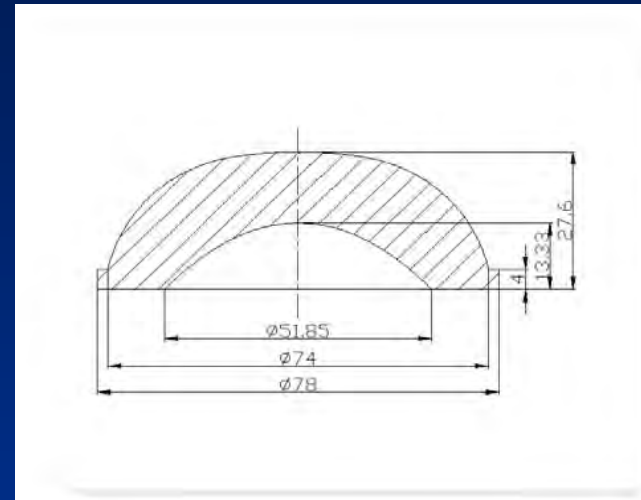
(for Aluminum holder+sealing ring) ;

# Products

## ➤ Highbay lights



Item No.: GT-78-45NA



Beam angle: 120 Deg.

Material: Borosilicate

# Products

## ➤ Highbay lights



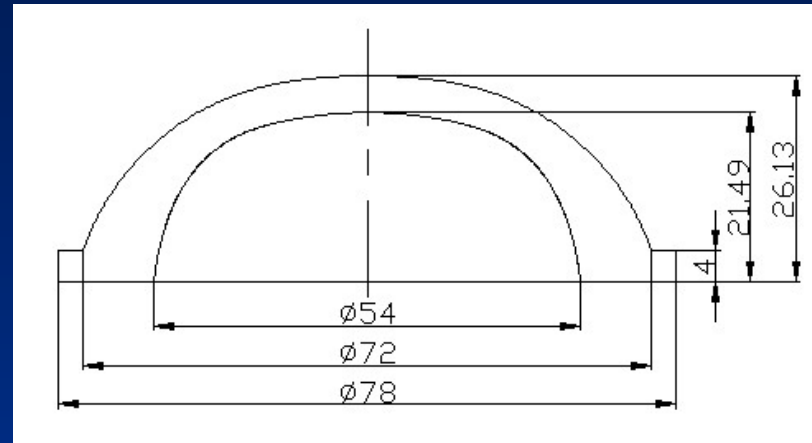
(for stainless steel holder+sealing ring) ;



(for Aluminum holder+sealing ring) ;

# Products

## ➤ Highbay lights



Item No.: GT-78-22NA

Beam angle: 180 Deg.

Material: Borosilicate



# Products

## ➤ Highbay lights



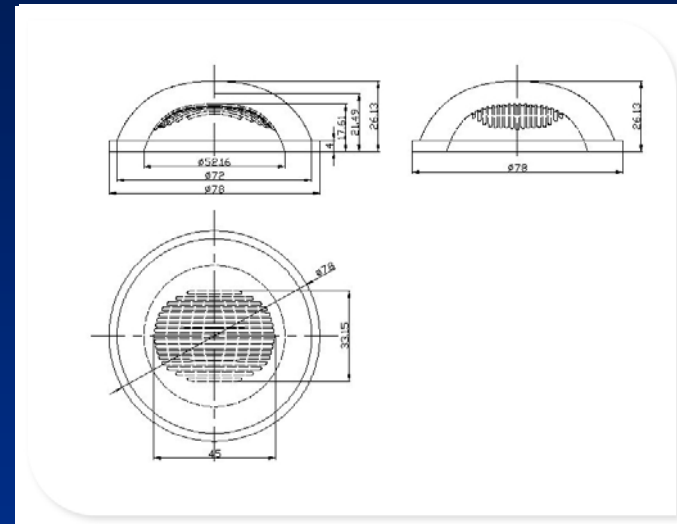
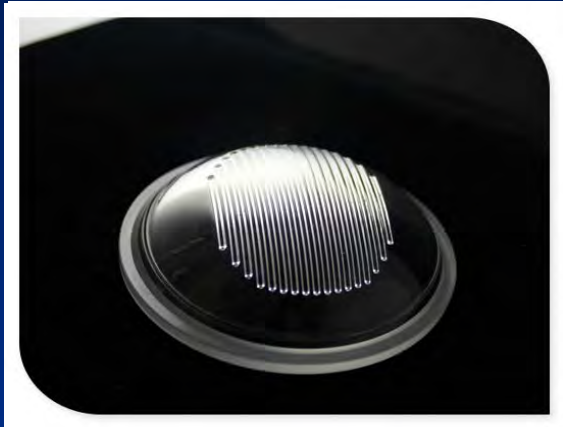
(for stainless steel holder+sealing ring) ;



(for Aluminum holder+sealing ring) ;

# Products

## ➤ Highbay lights



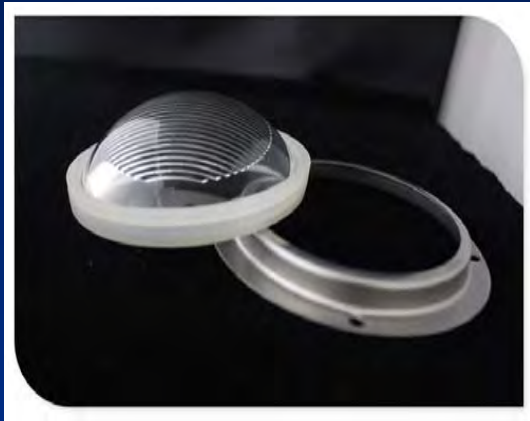
Item No.: GT-78-23NA

Beam angle: 160 Deg.

Material: Borosilicate

# Products

## ➤ Highbay lights



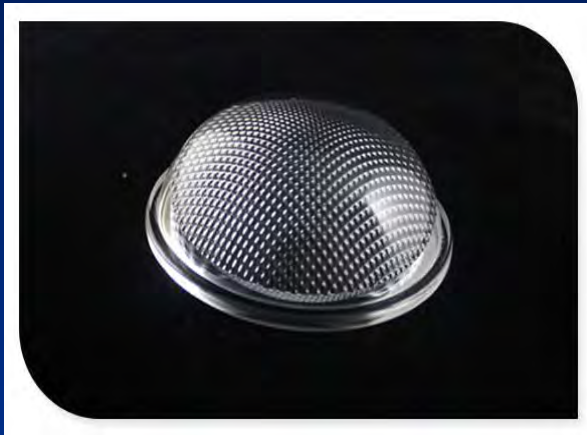
(for stainless steel holder+sealing ring) ;



(for Aluminum holder+sealing ring) ;

# Products

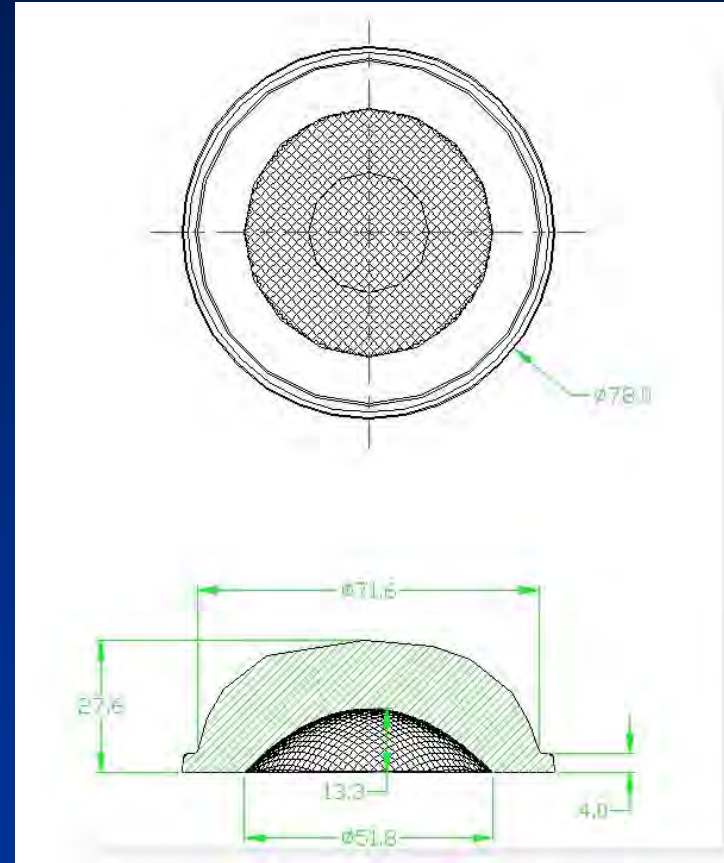
## ➤ Highbay lights(New Product)



Item No.: GT-78-43NA

Beam angle:100 Deg.

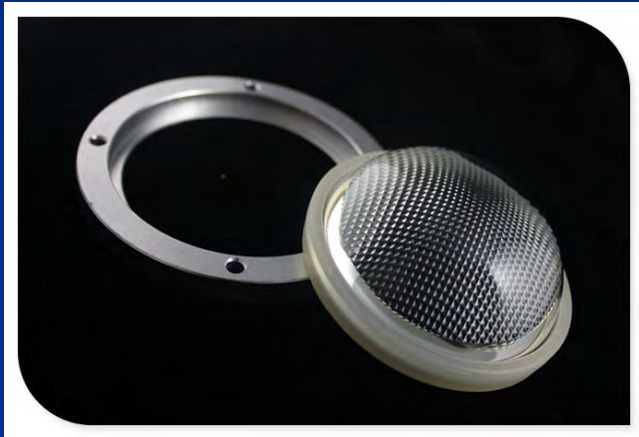
Material:Borosilicate



# Products

## ➤ Highbay lights

(Stainless steel holder+sealing ring:same with 78 series) ;



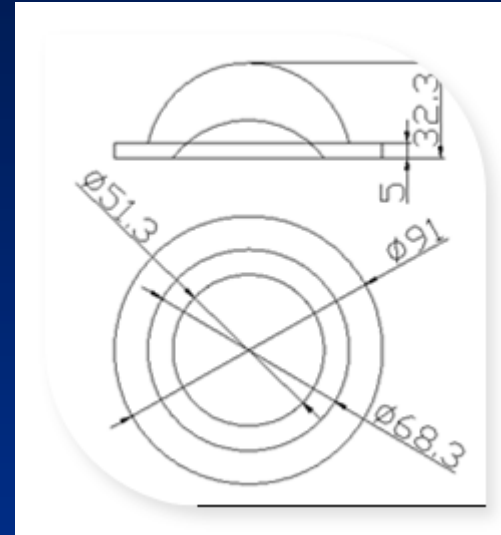
(for Aluminum holder+sealing ring) ;

# Products

## ➤ Highbay lights



Item No.: GT-91NA



Beam angle: 120 Deg.

Material: Borosilicate

# Products

## ➤ Highbay lights

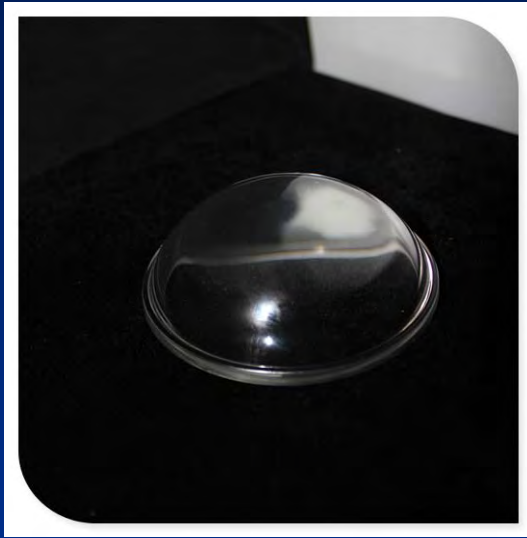
Item No.: GT-71NA

Beam angle:90 Deg.

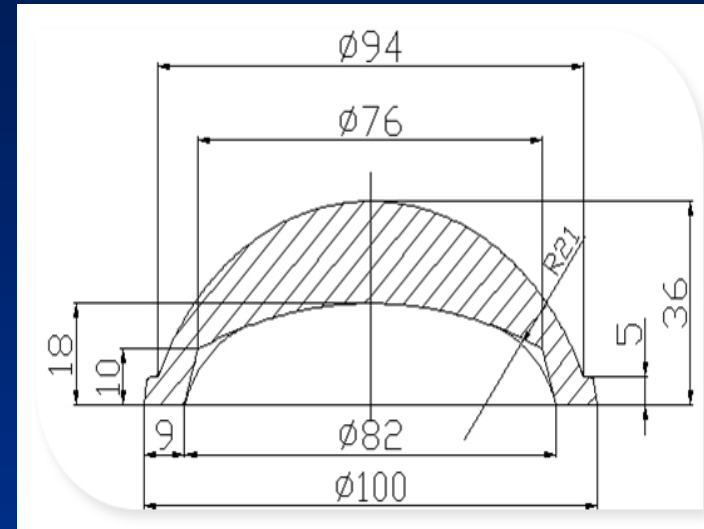
Material: Borosilicate

# Products

## ➤ Highbay lights



Item No.: GT-100-4NA



Beam angle:90 Deg.

Material: Borosilicate



# Products

## ➤ Highbay lights



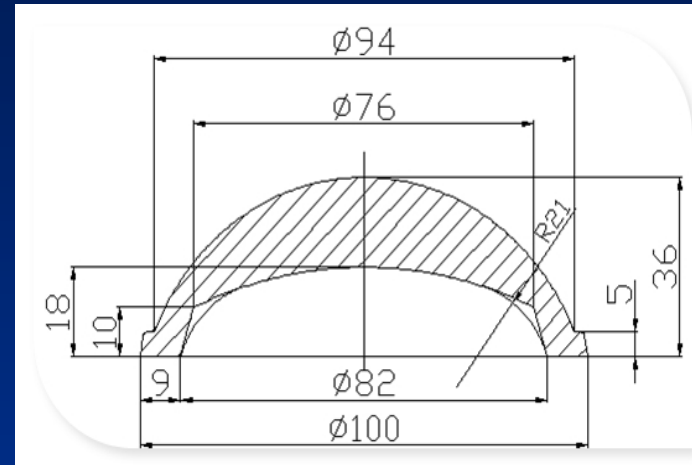
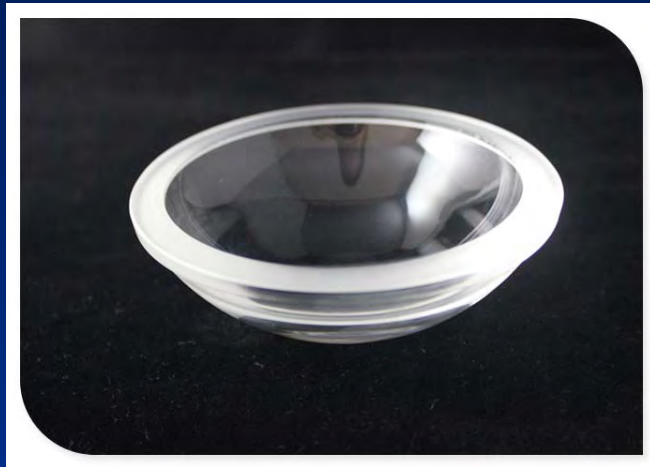
(for stainless steel holder+sealing ring) ;



(for Aluminum holder+sealing ring) ;

# Products

## ➤ Highbay lights



Item No.: GT-100-4NA(frost)

Beam angle:90 Deg.

Material: Borosilicate

# Products

## ➤ Highbay lights



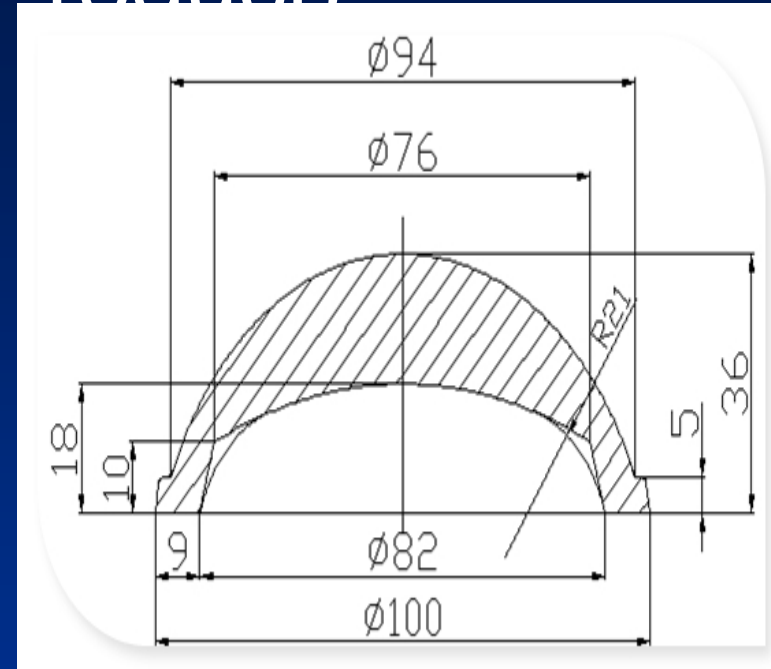
(for Aluminum holder+sealing ring) ;



(for stainless steel holder+sealing ring) ;

# Products

## ➤ Highbay lights(New Product)



Item No.: GT-100-20NA

Beam angle:90 Deg.

Material: Borosilicate

# Products

## ➤ Highbay lights



(for Aluminum holder+sealing ring) ;



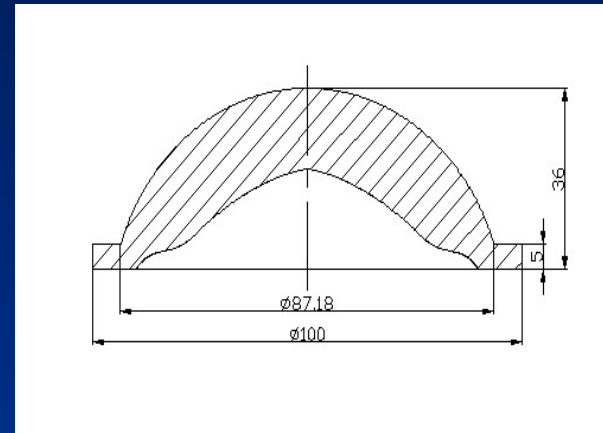
(for stainless steel holder+sealing ring) ;

# Products

## ➤ Highbay lights



Item No.: GT-100-7NA



Beam angle: 90 Deg.

Material: Borosilicate

# Products

## ➤ Highbay lights



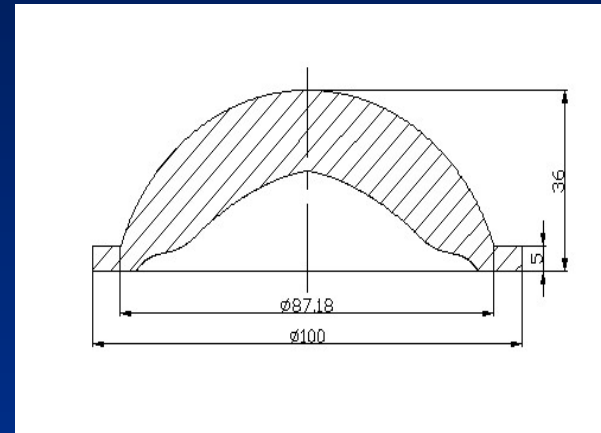
stainless steel holder+sealing ring;



Aluminum holder sealing ring

# Products

## ➤ Highbay lights



Item No.: GT-100-7NA(Concave frosted)

Beam angle:90 Deg.

Material: Borosilicate



# Products

## ➤ Highbay lights



(for stainless steel holder+sealing ring) ;

same Aluminum holder sealing ring as 100series

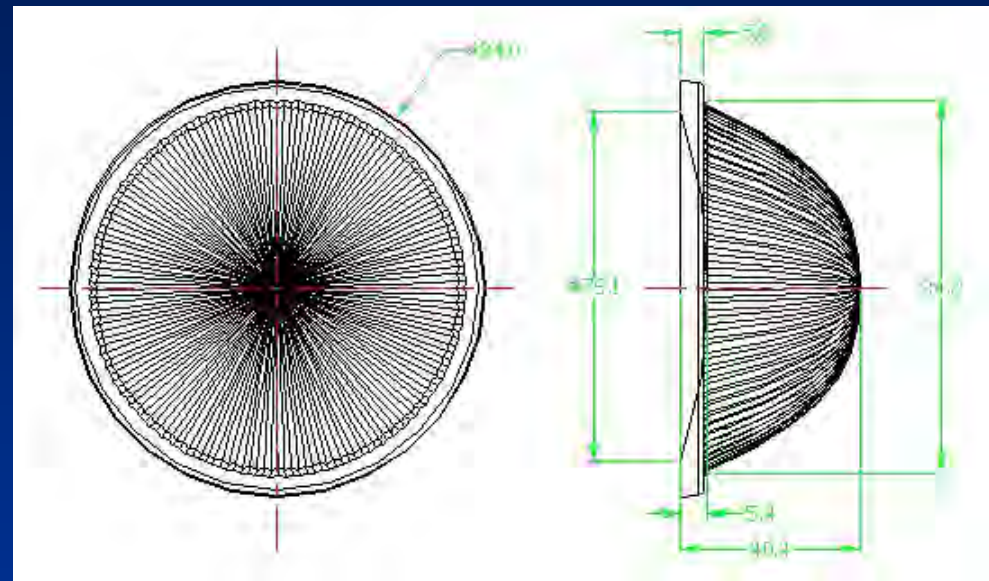
# Products

## ➤ Highbay lights



Item No.: GT-94-8NA

Special for CLL052



Beam angle:70 Deg.

Material: Borosilicate

# Products

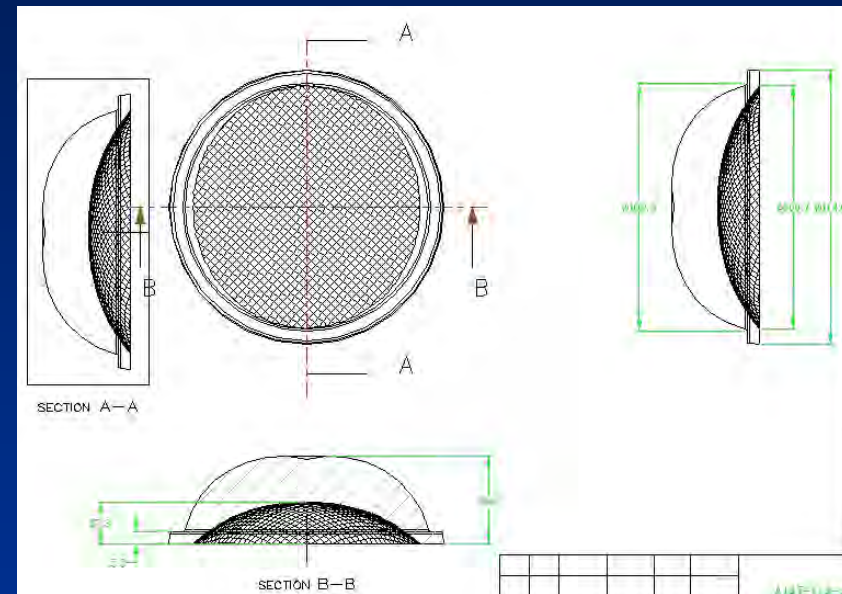
## ➤ Highbay lights



Aluminum holder +sealing ring

# Products

## ➤ Highbay lights(New Product)



Item No.: GT-114-4NA

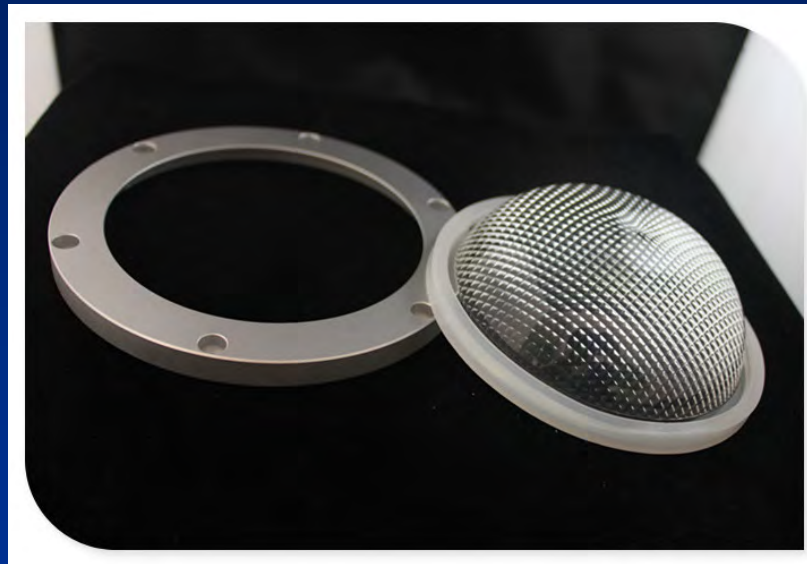
Special for CLL052

Beam angle:110 Deg.

Material: Borosilicate

# Products

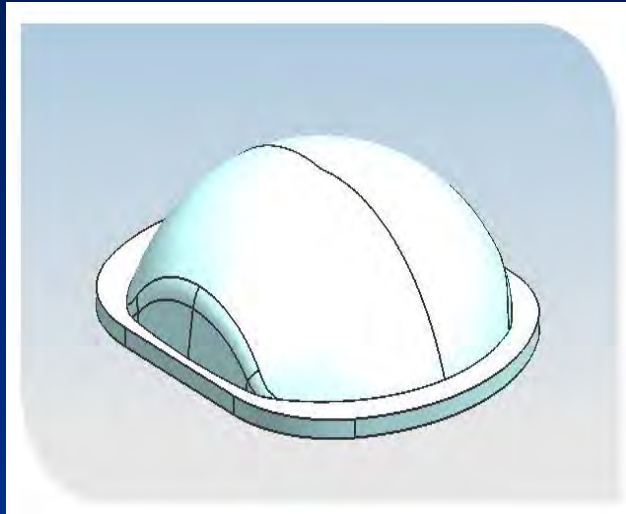
## ➤ Highbay lights



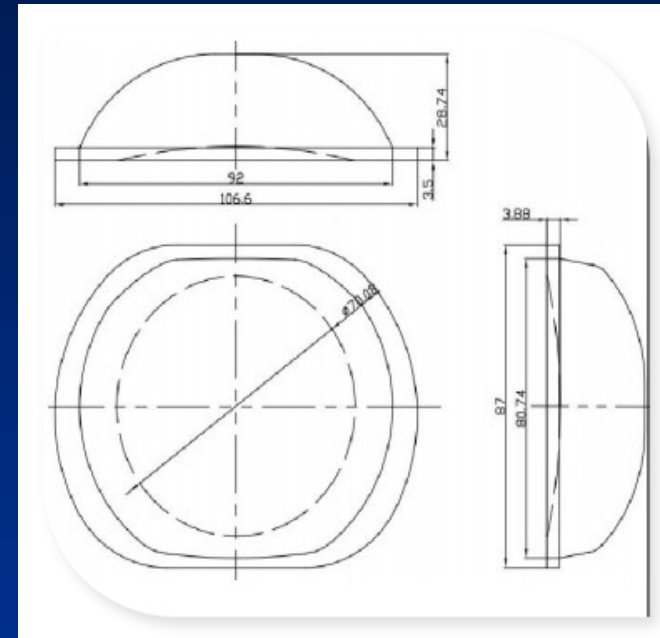
Aluminum holder +sealing ring

# Products

## ➤ Highbay lights



Item No.: 107-6NA



Beam angle:90 Deg.

Material:Borosilicate

# Products

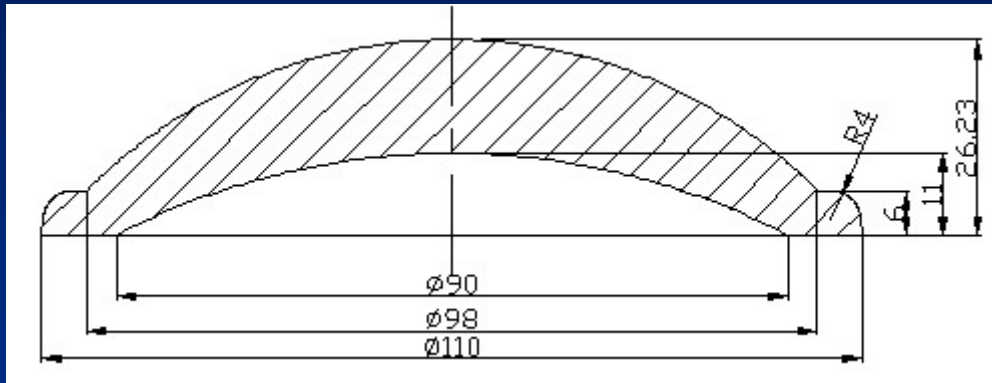
## ➤ Highbay lights



(for stainless steel holder+sealing ring) ;

# Products

## ➤ Highbay lights



Item No.: 110-6NA

Beam angle: 90 Deg.

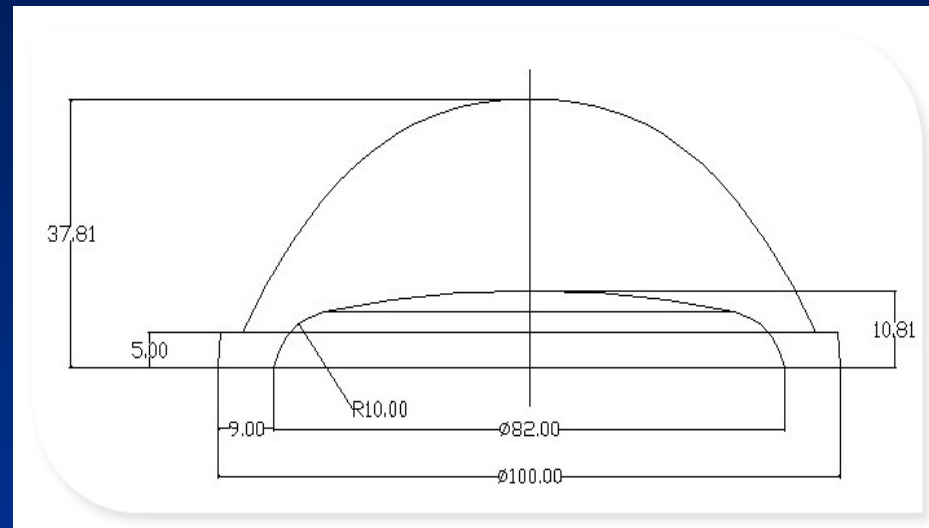


# Products

## ➤ Highbay lights



Item No.: GT-100-5NA



Beam angle:60 Deg.

Material: Borosilicate

# Products

## ➤ Highbay lights

(100series stainless steel holder+sealing ring) ;



(with Aluminum holder+sealing ring) ;

# Products

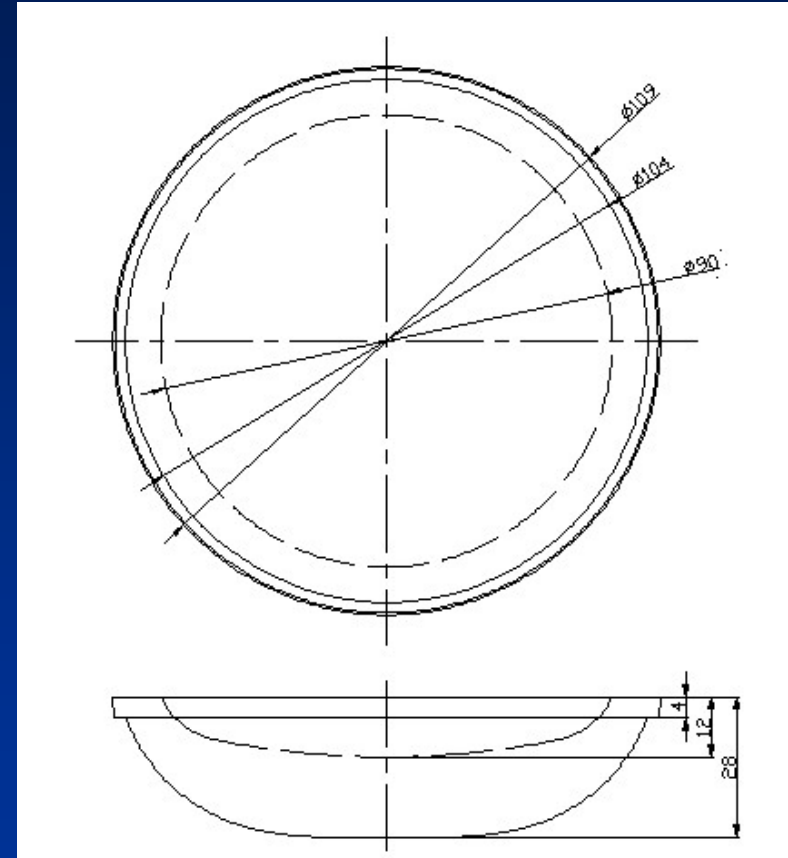
## ➤ Highbay lights



Item No.: GT-109-2NA

Beam angle: 90 Deg.

Material: Borosilicate



# Products

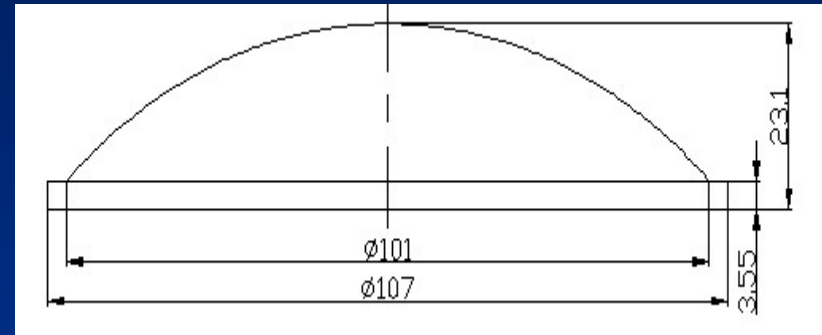
## ➤ Highbay lights



Aluminum holder +sealing ring

# Products

## ➤ Plano Convex Lens

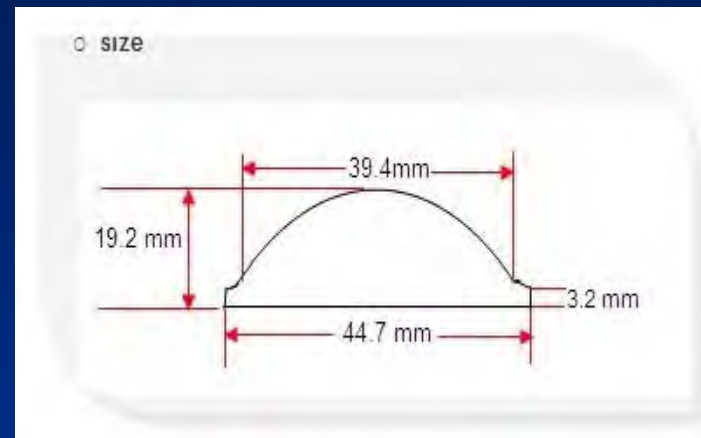
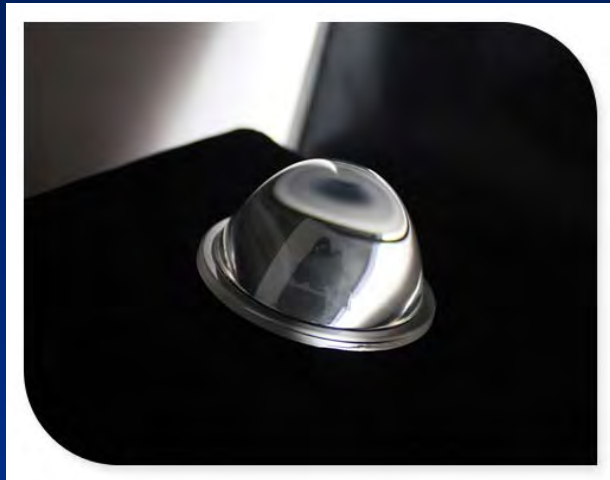


Item No.: 107-17

Beam angle: 100 Deg.

# Products

## ➤ Plano Convex Lens



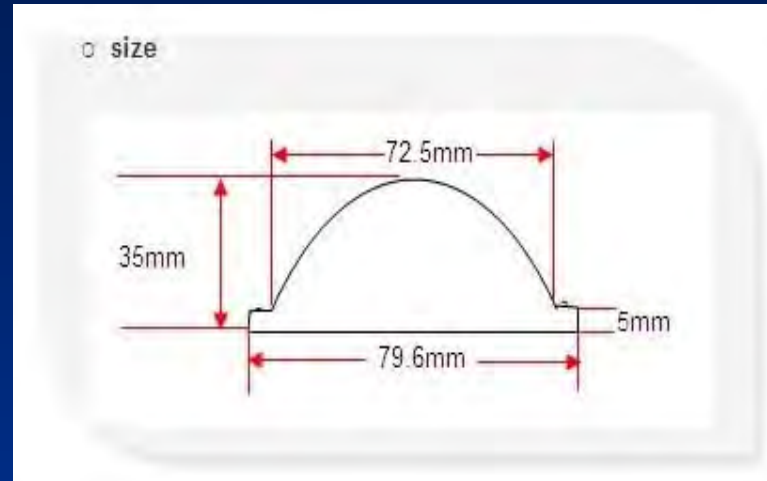
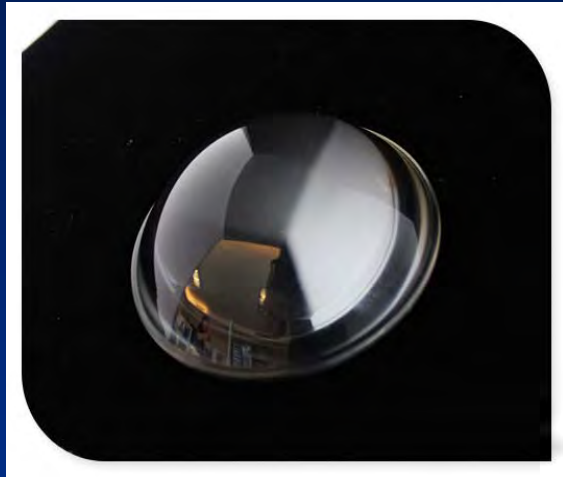
Item No.: GT-44.5

Beam angle:45 Deg.

Material: Borosilicate

# Products

## ➤ Plano Convex Lens



Item No.: GT-78-8

Beam angle: 60 Deg.

Material: Borosilicate

# Products

## ➤ Plano Convex Lens



(for stainless steel holder+sealing ring) ;

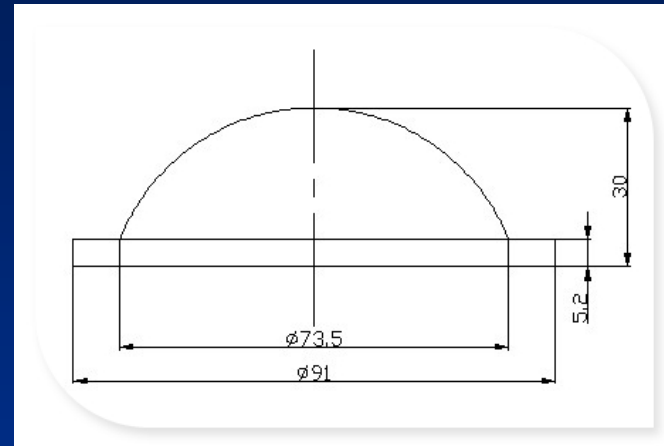


(for Aluminum holder+sealing ring) ;



# Products

## ➤ Plano Convex Lens



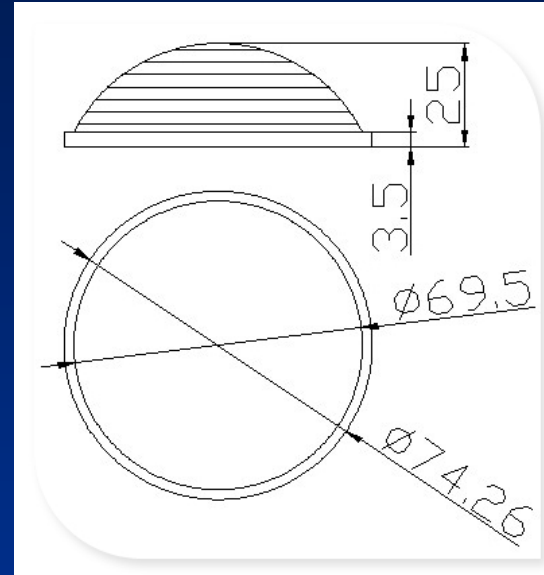
Item No.: GT-91PT

Beam angle: 120 Deg.

Material: Borosilicate

# Products

## ➤ Plano Convex Lens



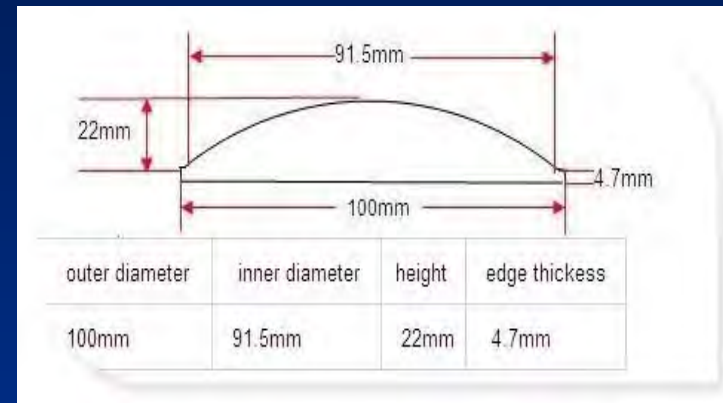
Item No.: GT-75LW

Beam angle: 120 Deg.

Material: Borosilicate

# Products

## ➤ Plano Convex Lens



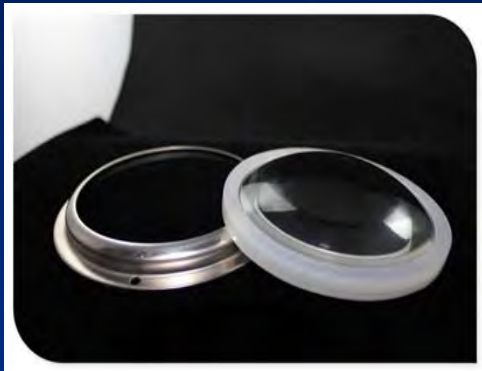
Item No.: GT-100-00

Beam angle:120 Deg.

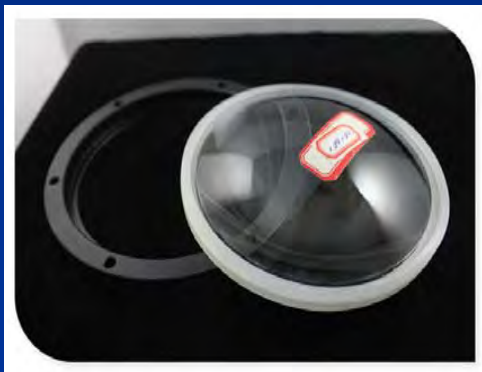
Material: Borosilicate

# Products

## ➤ Plano Convex Lens



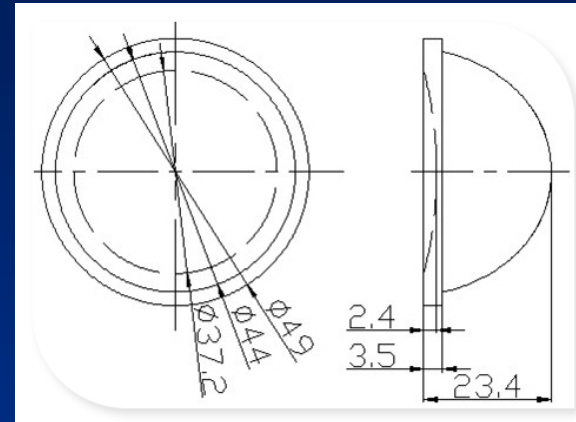
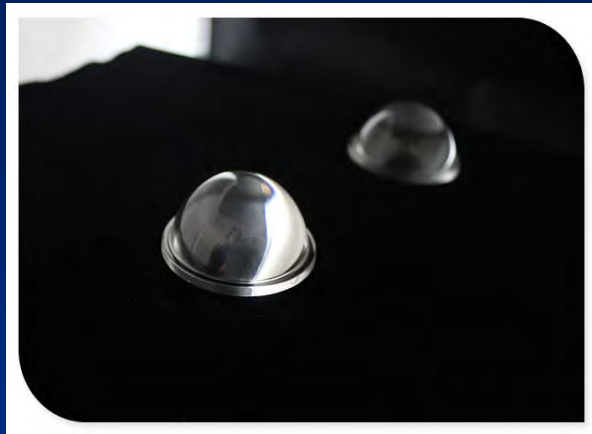
(for stainless steel holder+sealing ring) ;



(for Aluminum holder+sealing ring) ;

# Products

## ➤ Spot-lights



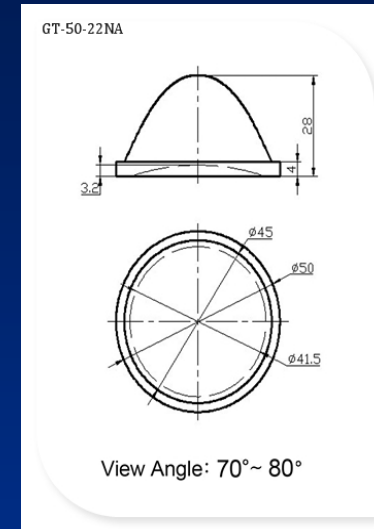
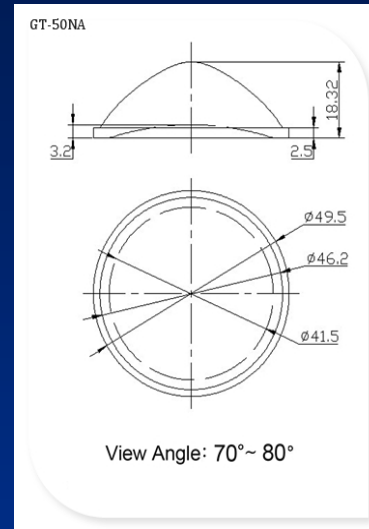
Item No.: GT-49-4NA

Beam angle:80 Deg.

Material: Borosilicate

# Products

## ➤ Spot-lights



Item No.: GT-50NA/GT-50-22NA

Beam angle: 80 Deg./ 55deg.

Material: Borosilicate

# Products

## ➤ Spot-lights



(for stainless steel holder+sealing ring) ;



(for Aluminum holder+sealing ring) ;

# Products

## ➤ Spot-lights



Item No.: GT-Combination Lens



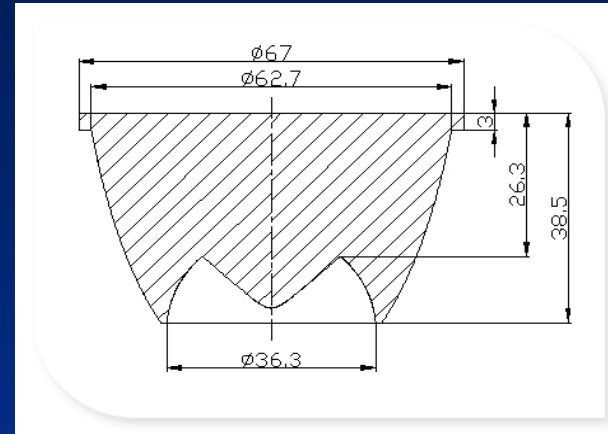
Beam angle:40 Deg.

Material: Borosilicate



# Products

## ➤ Reflector Lens



Item No.: GT-67-7

Beam angle: 45 Deg.

Material: Borosilicate

# Products

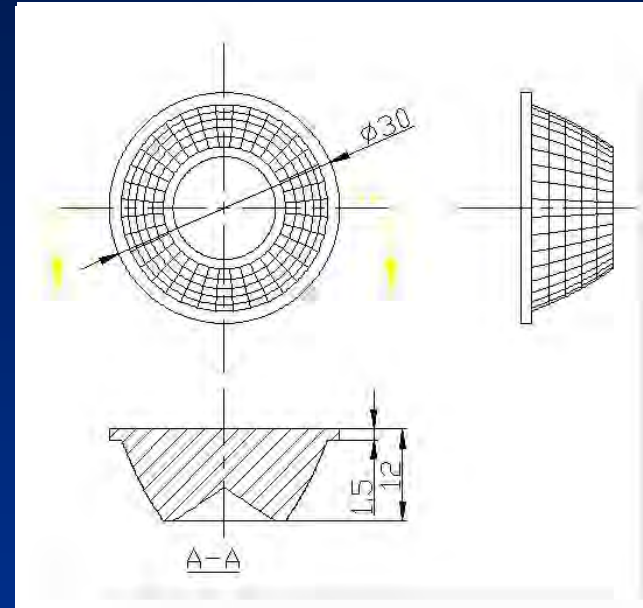
## ➤ Reflector Lens



(for aluminium holder+sealing ring) ;

# Products

## ➤ Reflector Lens



Item No.: GT-30-17

Beam angle: 20 Deg.

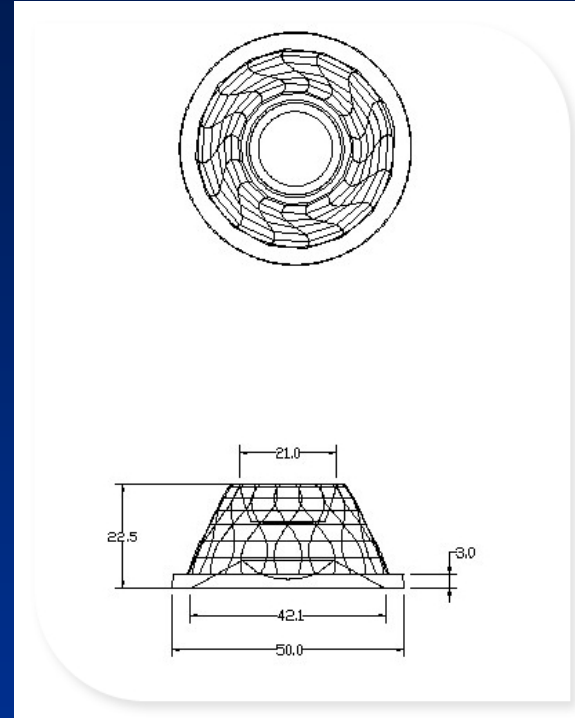
Material: Borosilicate

# Products

## ➤ Reflector Lens



Item No.: GT-50-46

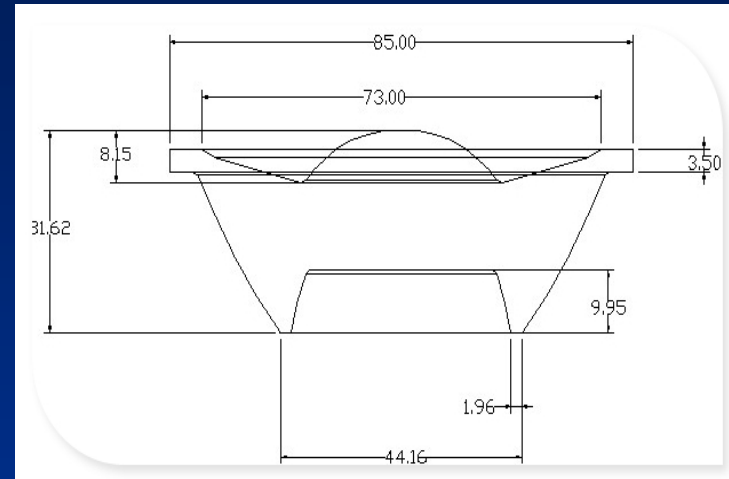


Beam angle: 30 Deg.

Material: Borosilicate

# Products

## ➤ Reflector Lens(New Product)



Item No.: GT-85-10

Beam angle:30 Deg.

Material: Borosilicate

# Products

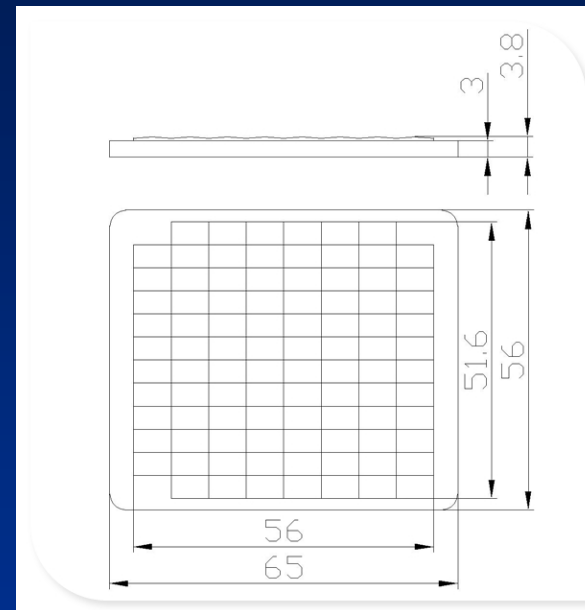
## ➤ Reflector Lens



(for aluminium holder+sealing ring) ;

# Products

## ➤ Projects

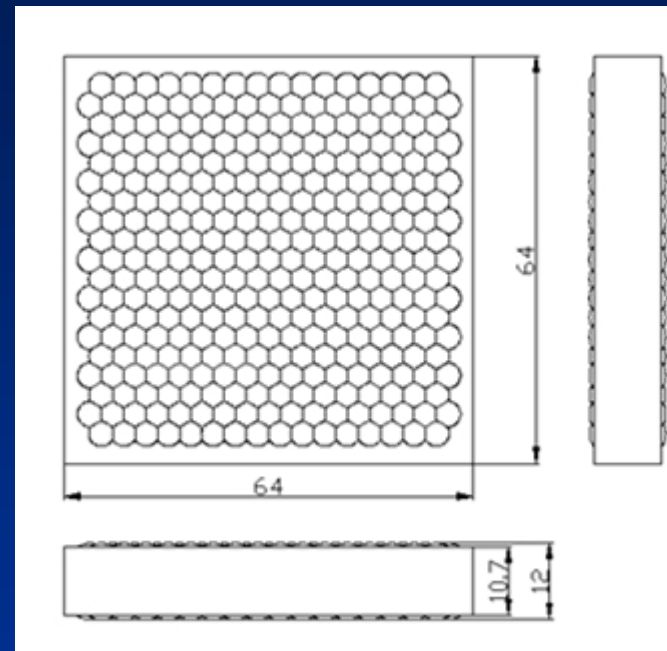


Item No.: Fly eyes

Material: Borosilicate

# Products

## ➤ Projects



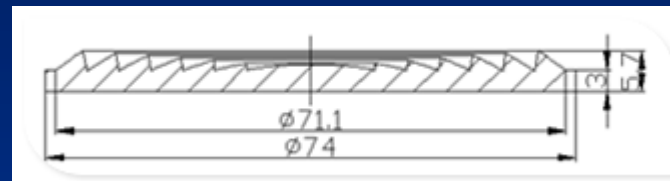
Item No.: Double Fly eyes

Material: Borosilicate



# Products

## ➤ Projects

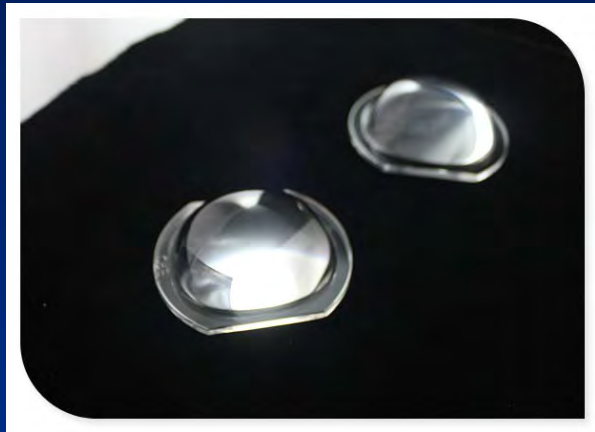


Item No.: Fresnel Lens

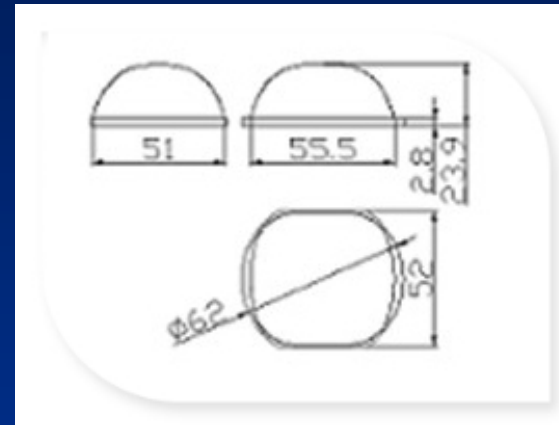
Material: Borosilicate

# Products

## ➤ Projects



Item No.: GT-60TY



Rectangular spot beam

Material: Borosilicate